



Aluminum Pressure Regulators 1682M Series & C-1682M Series

Application

The 1682M Series Regulators are designed primarily for second stage regulation of a variety of gases in industrial and hospital piping systems and manifolds. The C-1682M Series is specifically designed for use with Carbon Dioxide.

Features

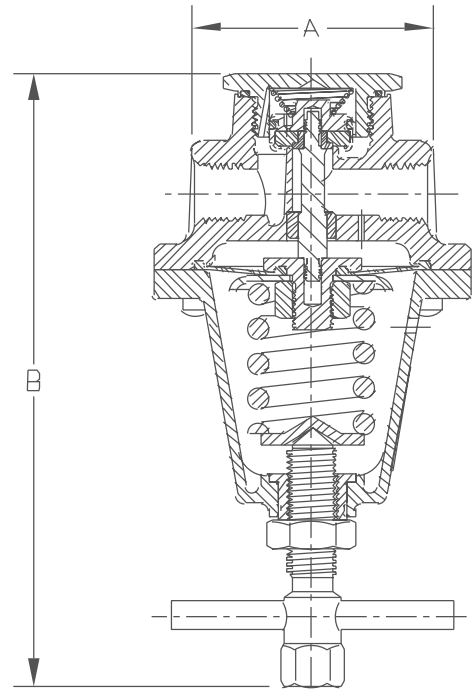
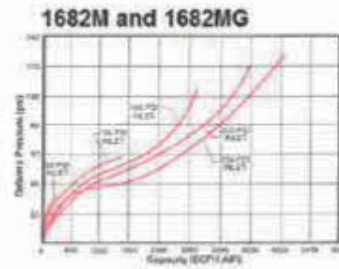
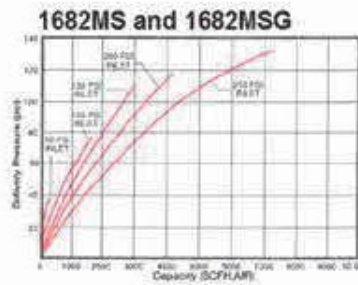
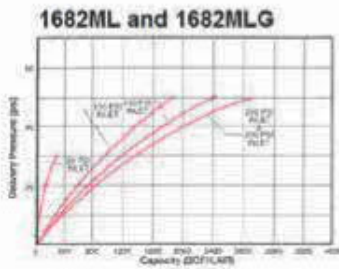
- Maximum inlet pressure is 400 psig.
- Two 1/4" F.NPT gauge ports are located 180° apart to allow for gauge mounting in convenient positions.
- Each 1680M Series regulator is cleaned and packaged for oxygen per CGA G-4.1.
- 100% Factory Tested
- T-handle adjusting screw.
- Available in three delivery pressure ranges.
- Temperature Range: -40° F to +165°F (-40°C to +74°C)

Materials

Body	Forged Aluminum
Bonnet	Aluminum
Seat Disc (1682M)	Neoprene
Seat Disc (C-1682M)	EPDM
Diaphragm (1682M)	Neoprene
Diaphragm (C-1682M)	EPDM



C-1682M



Ordering Information

Part Number	Delivery Pressure Range (psig)	Pressure Gauge		Inlet & Outlet Connection (F.NPT)	Width A	Maximum Height B
		Range (psig)	Part Number			
1682ML	5-50 psig (0.3-3.4 barg)	*	*	1/4"	23/16"	4 1/8"
1682MLG		1-100	1286			
1682M	50-125 psig (3.4-8.6 barg)	*	*			
1682MG		1-200	S1679			
1682MS	100-250 psig (6.9-17.2 barg)	*	*			
1682MSG		1-400	15578			

* Pressure gauge not included.